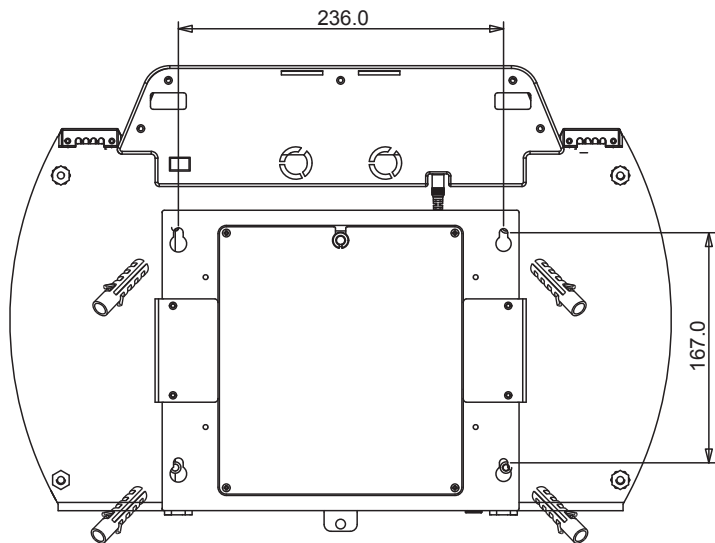
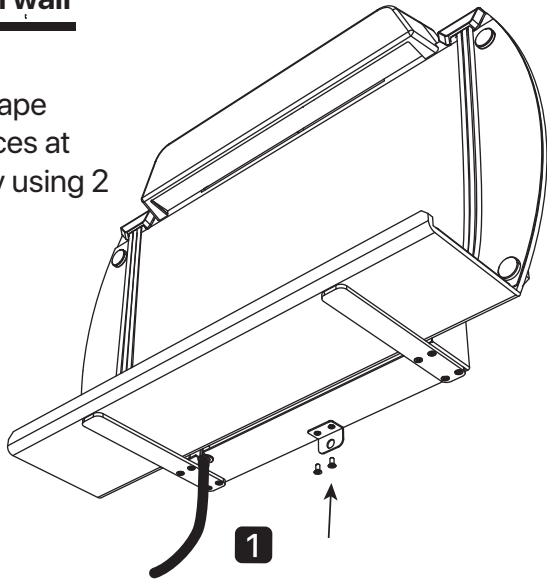


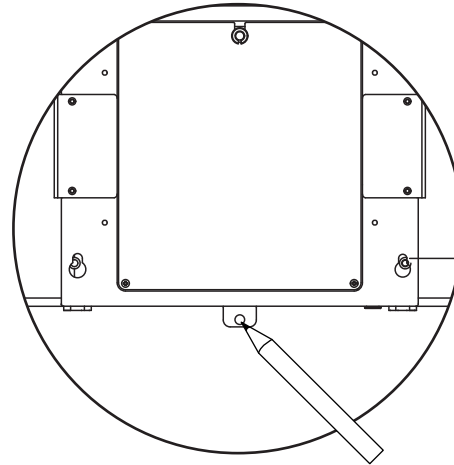
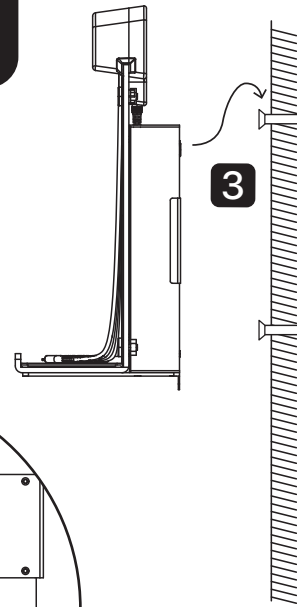
A. Hang on wall

1. Fix L shape metal pieces at bottom by using 2 screws.



2. Drill 4 x Ø6mm holes on wall according to the drawing. Fix 4 x screw studs and 4 x screws on wall.

3. Lift 5mm space for hanging WM9 on wall.



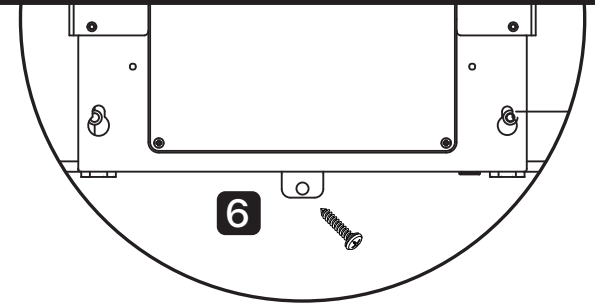
4. Mark the screw holes on wall.

Ø6mm

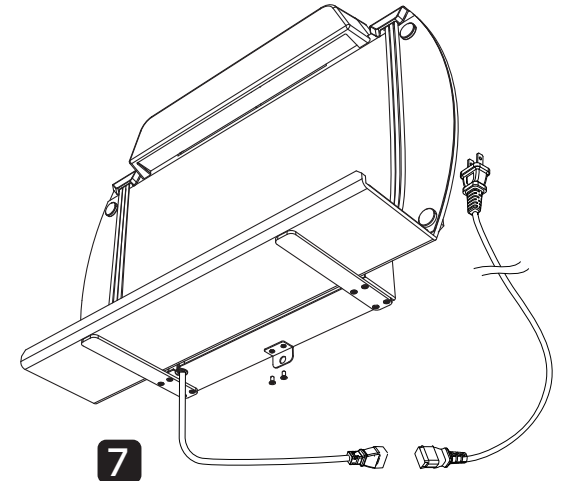


5

5. Drill 1 x Ø6mm holes on wall according to the mark. Fix 1 x screw studs on wall.



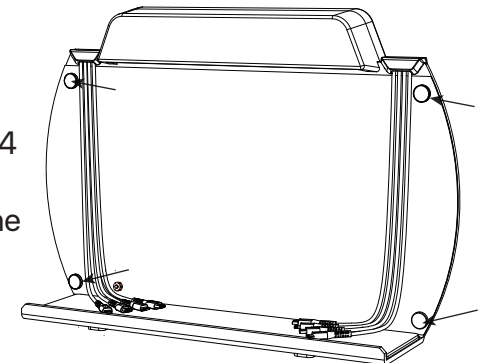
6. Fix 1 x screws on wall.



7. Connect female DC connector with AC adaptor & power cord.

B. Change Artwork

Unscrew 4 screws to replace the artwork.



C. Table Top

1. Unscrew 4 screws to remove the cover.

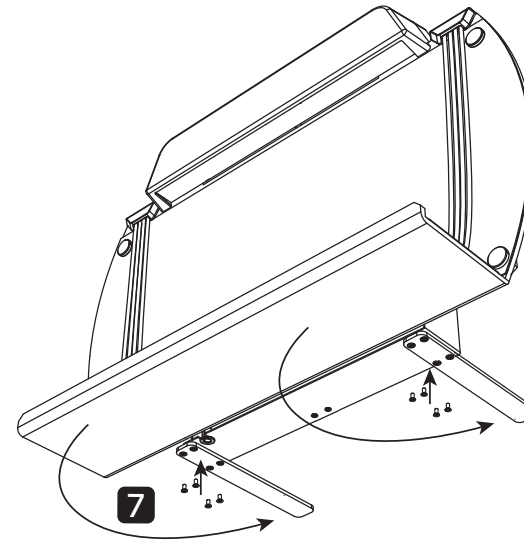
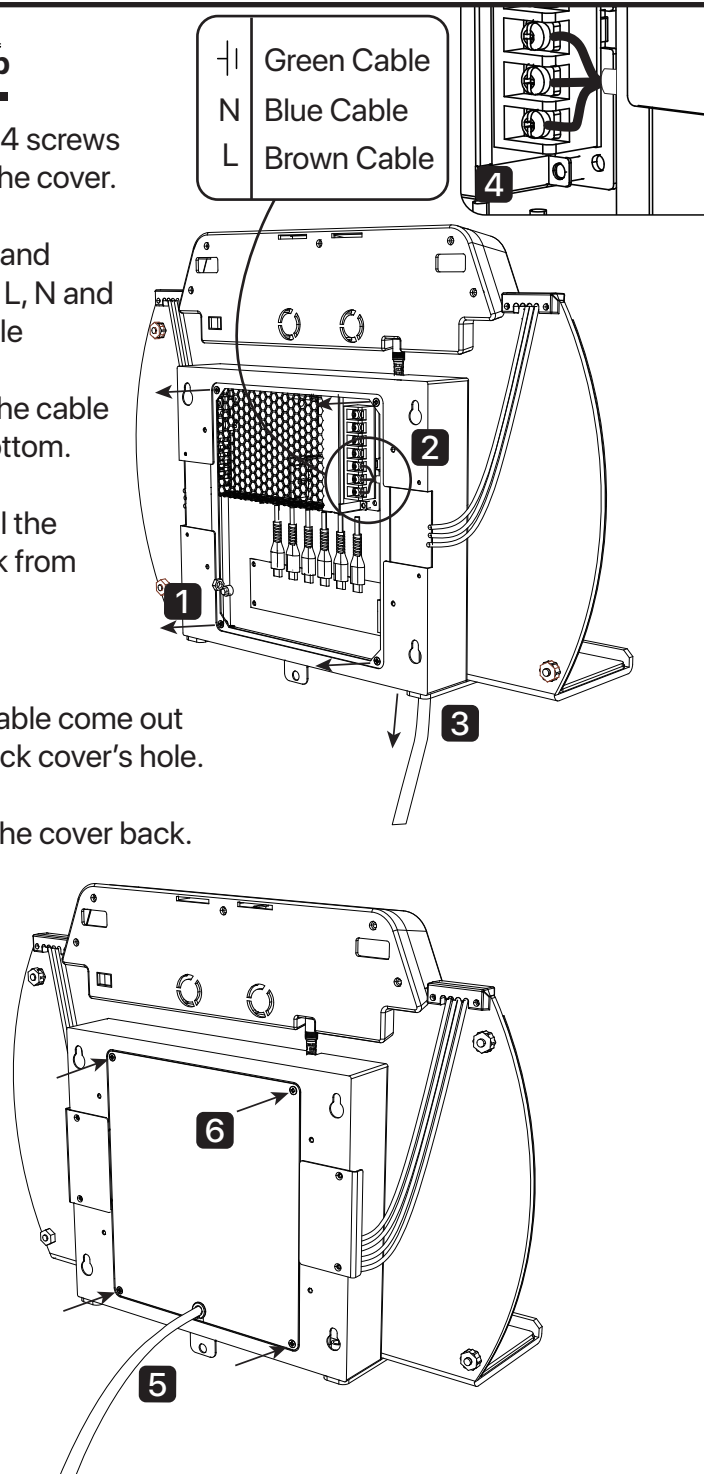
2. Unscrew and remove the L, N and ground cable

3. take off the cable front the bottom.

4. Re-install the cables back from back side.

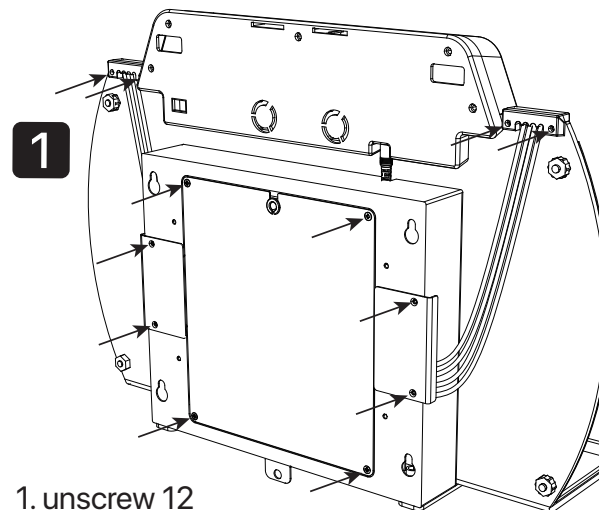
5. Let the cable come out from the back cover's hole.

6. reinstall the cover back.



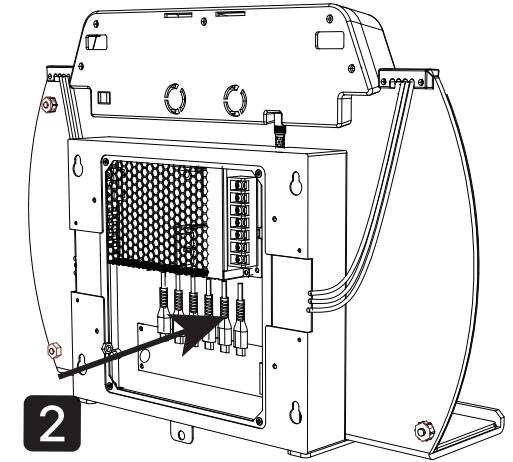
7. Unscrew 8 screws at the bottom and tune the support pieces backward. Install 8 screws back finally.

D. Replace Cable



1. unscrew 12 screws at back.

2. unplug the USB cable and replace a new one.



E. Specifications

- Input : AC 110V-230V / 50~60Hz
- Output (Charging Cables) : PD 20W (Max) x 6
- Dimensions(wall mount): 480 x 145 x 326mm
- Dimensions(wall mount with Floor Stand): 480 x 480 x 1300mm
- Material (Housing) : Cold Rolled Steel & Acrylic

F. Notes on use

- To Prevent fire on shock hazard, do not expose the device to rain or moisture.
- To avoid electric shock, please do not disassemble the device.
- If trouble occurs, immediately disconnected the device from wall socket.

Maintenance

- Wipe the device with a soft dry cloth to prevent dust build up.
- keep the device away from strong volatile solvents or chemicals, such as thinner, benzene, alcohol, pesticide, rubber or vinyl plastic etc, which may lead to deterioration or damage to your devices.