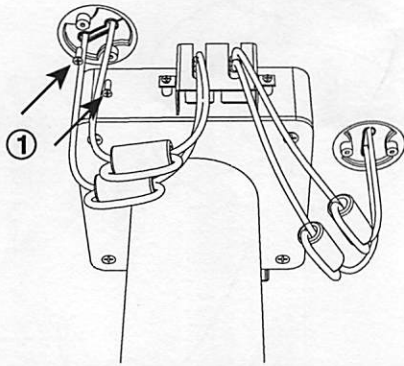


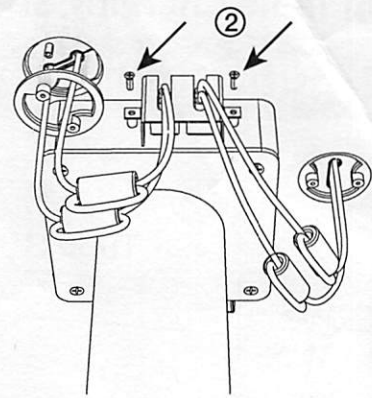
INSTALLATION - CHANGE OF CABLE

1



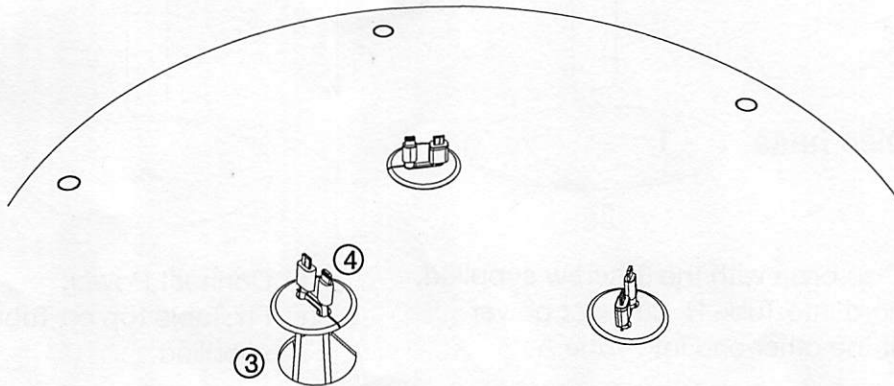
① Detached the cable clip by unscrewing the 2 screws.

2



② Unscrew the 2 screws on cable cover.

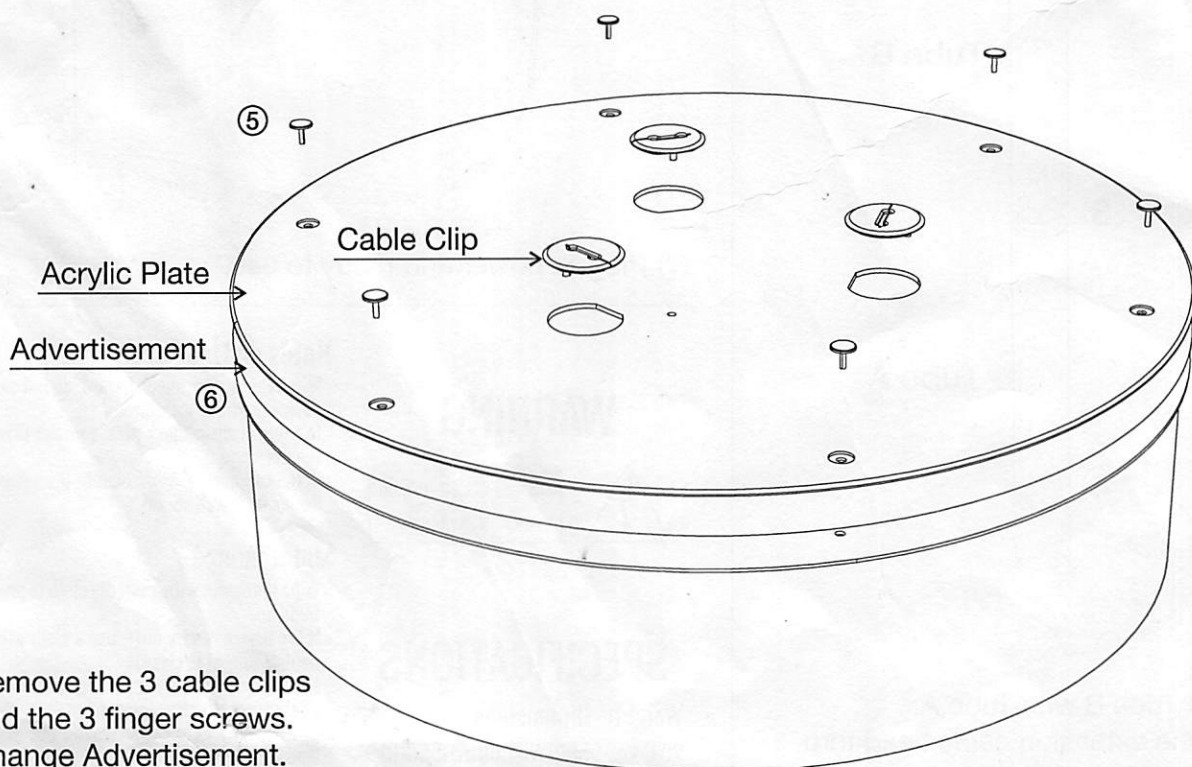
3



③ Remove cables from cable clip.

④ Change cable.

INSTALLATION - CHARGING OF ADVERTISEMENT



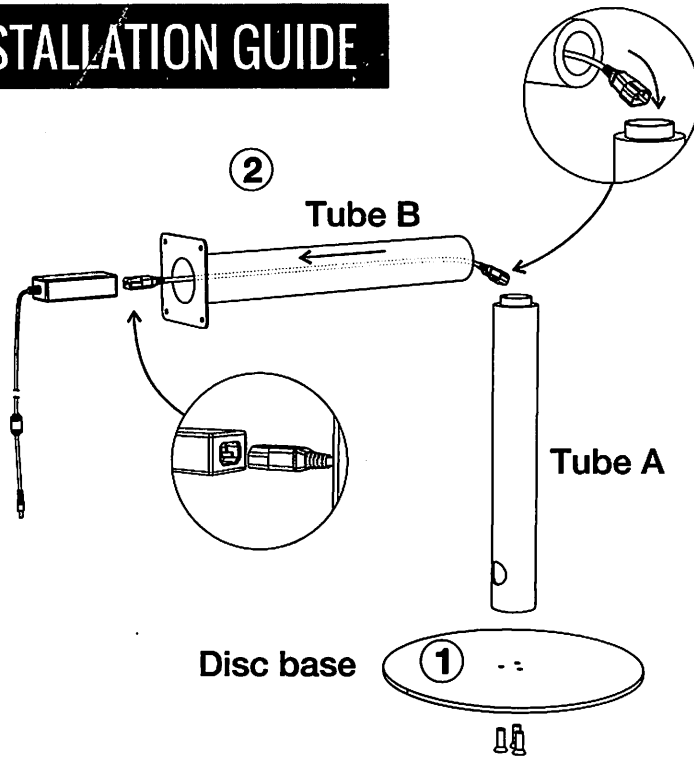
⑤ Remove the 3 cable clips and the 3 finger screws.

⑥ Change Advertisement.

High Top Table Charging Station

INSTALLATION GUIDE

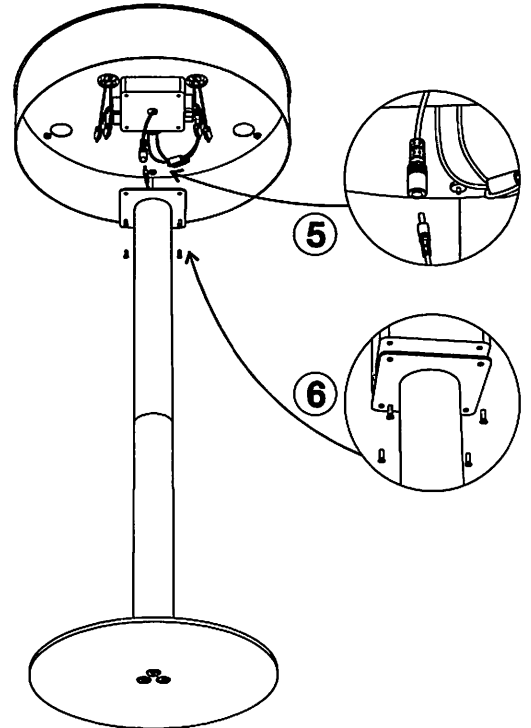
1



- ① Fix Tube A on Disc base with the 3-screw supplied.
- ② Put extension cord into Tube B, connect power adaptor and put the other end into Tube A.

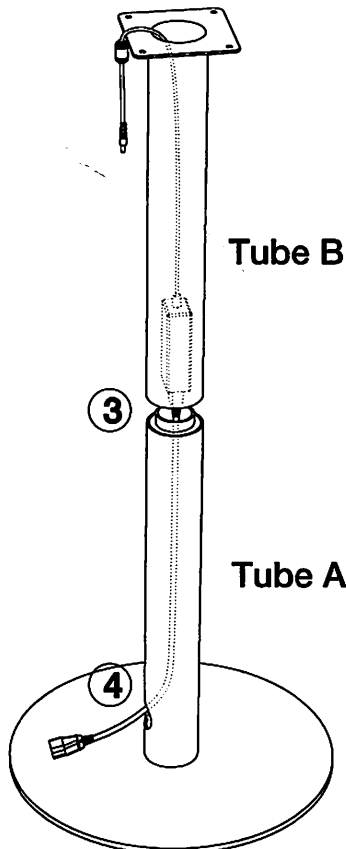
3

Table top



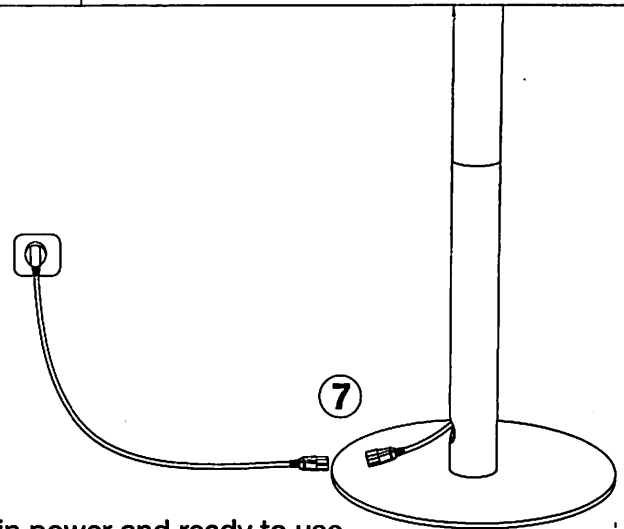
- ⑤ Connect Power.
- ⑥ Fix Table top on Tube B with 4-screw supplied.

2



- ③ Joint Tube B with Tube A.
- ④ Put the extension cable head thru hole on Tube A.

4



- ⑦ Plug-in power and ready to use.

Notes on Use

- To prevent fire or shock hazard, do not expose the device to rain or moisture.
- To avoid electric shock please do not disassemble the device.
- If trouble occurs, immediately disconnected the device from wall socket.

Maintenance

- Wipe the device with a soft dry cloth to prevent dust build up.
- If the device is very dirty, use a cloth with a bit of neutral solvent to clean it.
- Keep the device away from strong volatile solvents or chemicals, such as thinner, benzene, alcohol, pesticide, rubber or vinyl plastic etc, which may lead to deterioration or damage to your device.

WARNING



CAUTION
RISK OF ELECTRIC SHOCK
DO NOT DISASSEMBLE DEVICE

SPECIFICATIONS

Weight: 20.6 kg Dimensions: 590(W)×1100(H)×590(D)