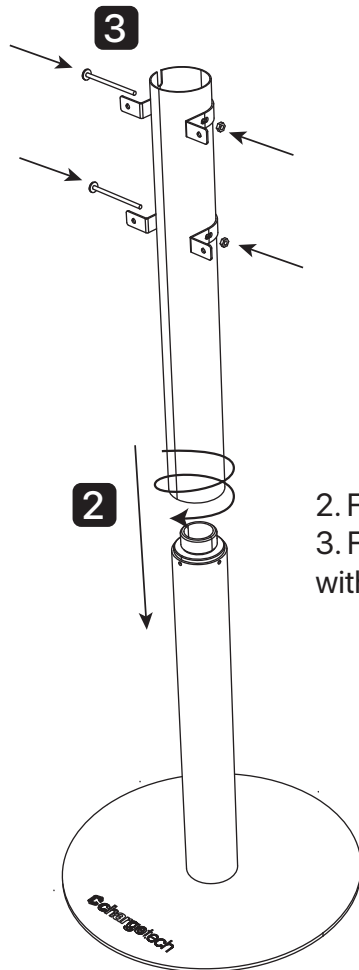
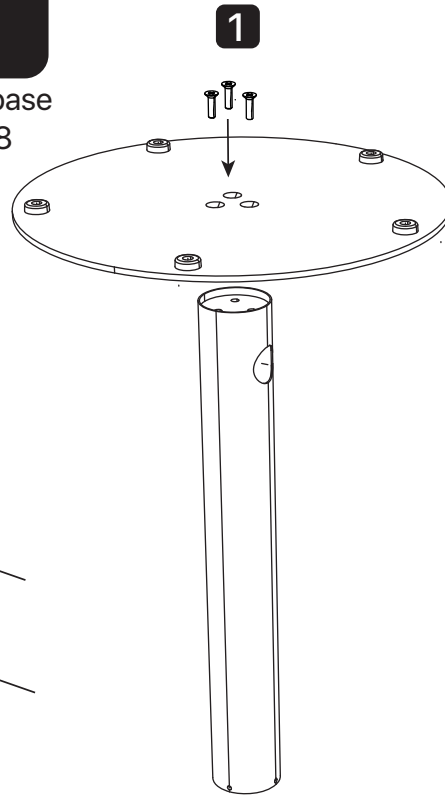
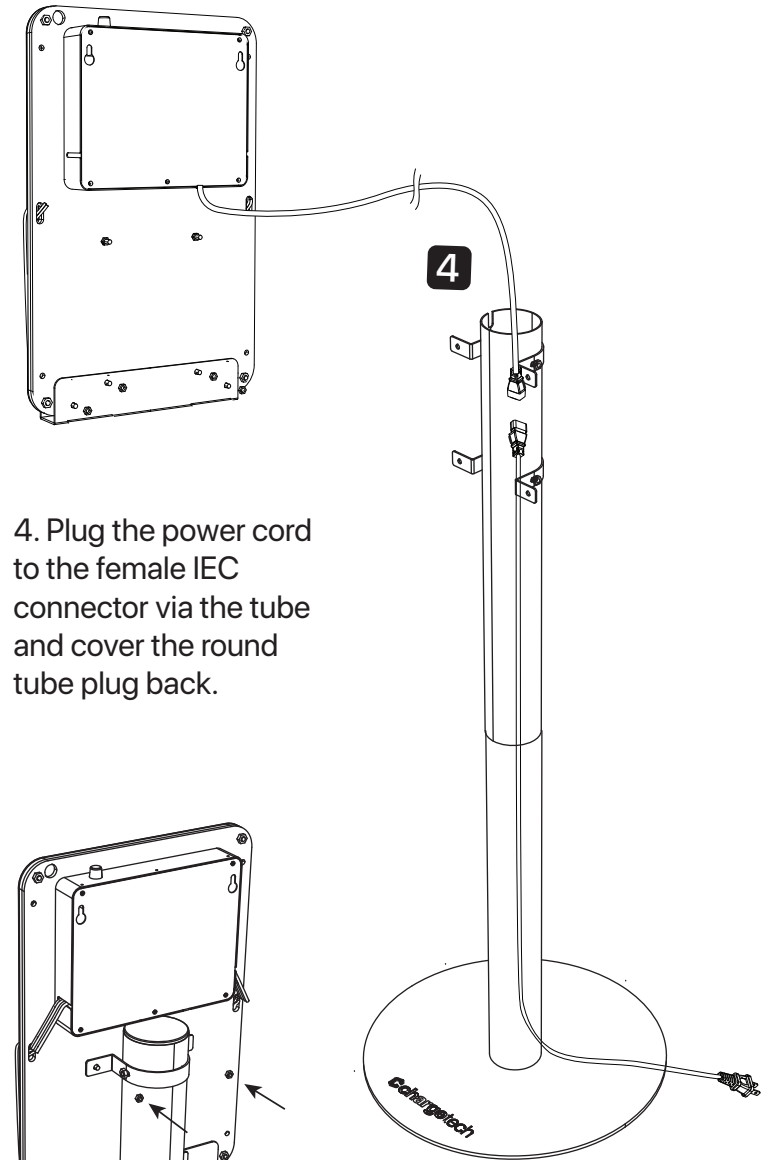


A. Floor Stand

1. Fix pole A on base plate with 3 x M8 screws.



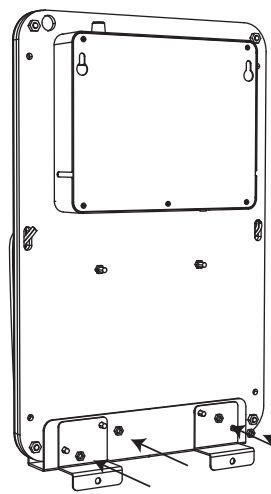
2. Fix pole A to pole B.
3. Fix C mount x 2 on pole B with 2 x M5 screws bolt.



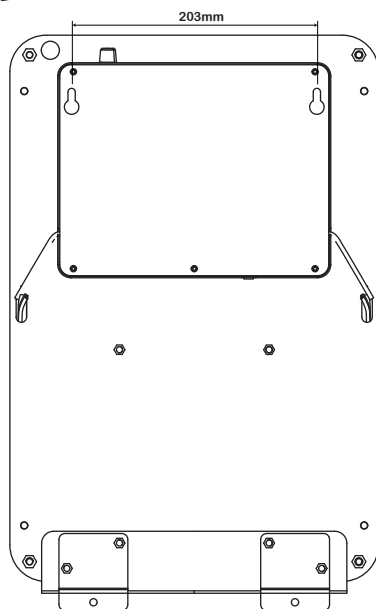
4. Plug the power cord to the female IEC connector via the tube and cover the round tube plug back.

5. Fix product on floor stand with 4 x hex nuts.

B. Hang on wall

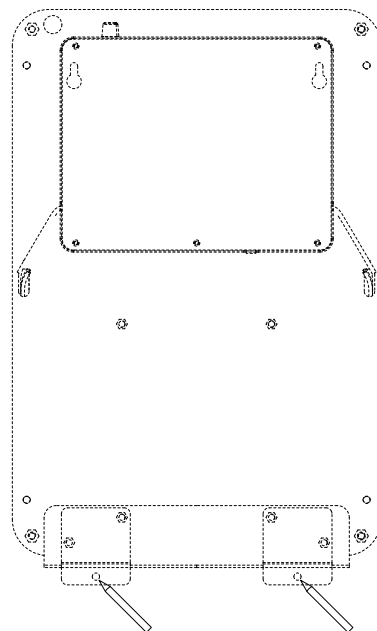


1. Fix 2 metal pieces at back by using 4 hex nuts.



2. Drill 2 x Ø6mm holes on wall according to the drawing. Fix 2 x screw studs and 2 x screws on wall.

3. Lift 5mm space for hanging IVY on wall.



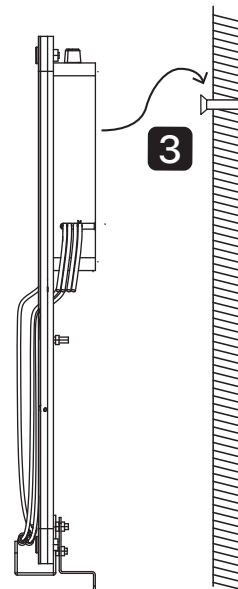
4

Ø6mm



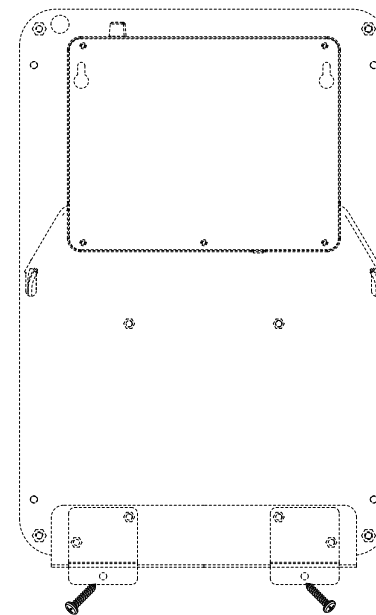
5

5. Drill 2 x Ø6mm holes on wall according to the mark. Fix 2 x screw studs on wall.



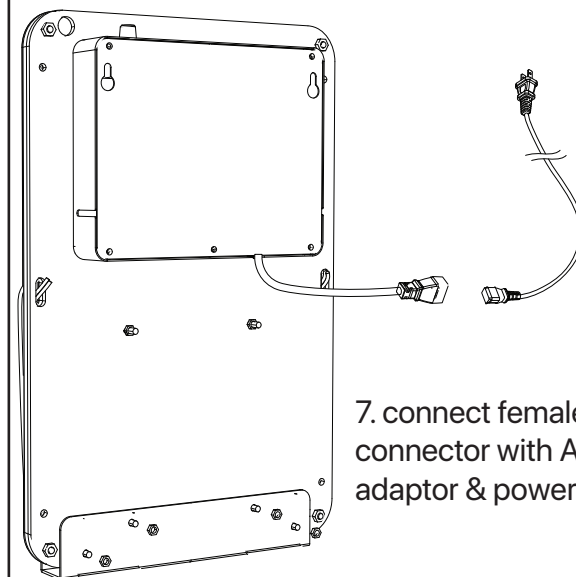
3

4. Mark the screw holes on wall.



6

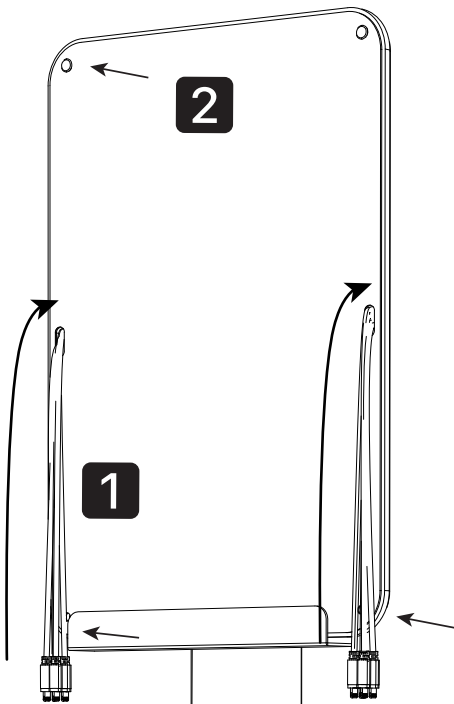
6. Fix 2 x screws on wall.



7. connect female DC connector with AC adaptor & power cord.

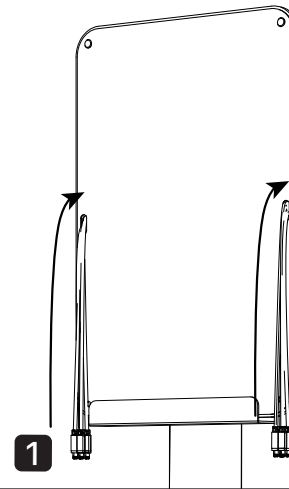
C. Change Artwork

1. Take out the cable through hole in the middle
2. Unscrew 4 screws to replace the artwork.

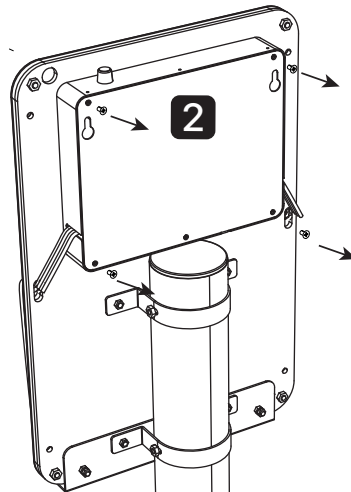


D. Replace Cable

1. Take out the cable through hole

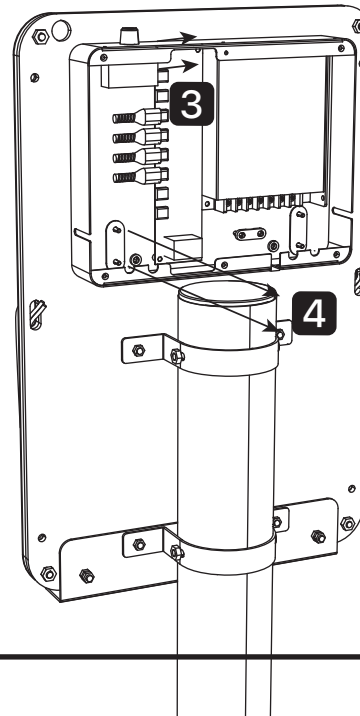


2. unscrew 4 screws at back box.



3. unscrew 2 hex nuts which fixed the cables.

4. unplug the USB cable.



E. Specifications

- Input : AC 100 - 240V / 50~60Hz
- Output (Charging Cables) : PD 20W MAX
- Dimensions(wall mount): 305 x 69 x 466mm
- Dimensions(wall mount with Floor Stand): 445 x 445 x 1400mm
- Material (Housing) : Cold Rolled Steel & Acrylic

F. Notes on use

- To Prevent fire on shock hazard, do not expose the device to rain or moisture.
- To avoid electric shock, please do not disassemble the device.
- If trouble occurs, immediately disconnected the device from wall socket.

Maintenance

- Wipe the device with a soft dry cloth to prevent dust build up.
- keep the device away from strong volatile solvents or chemicals, such as thinner, benzene, alcohol, pesticide, rubber or vinyl plastic etc, which may lead to deterioration or damage to your devices.