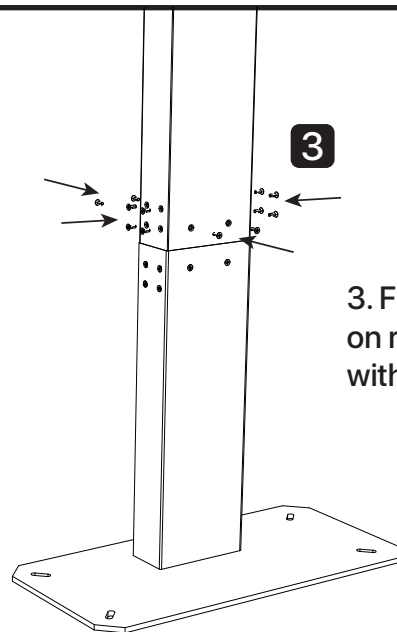
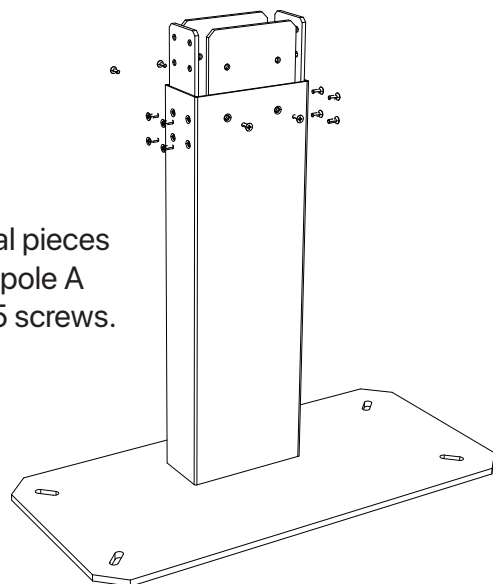
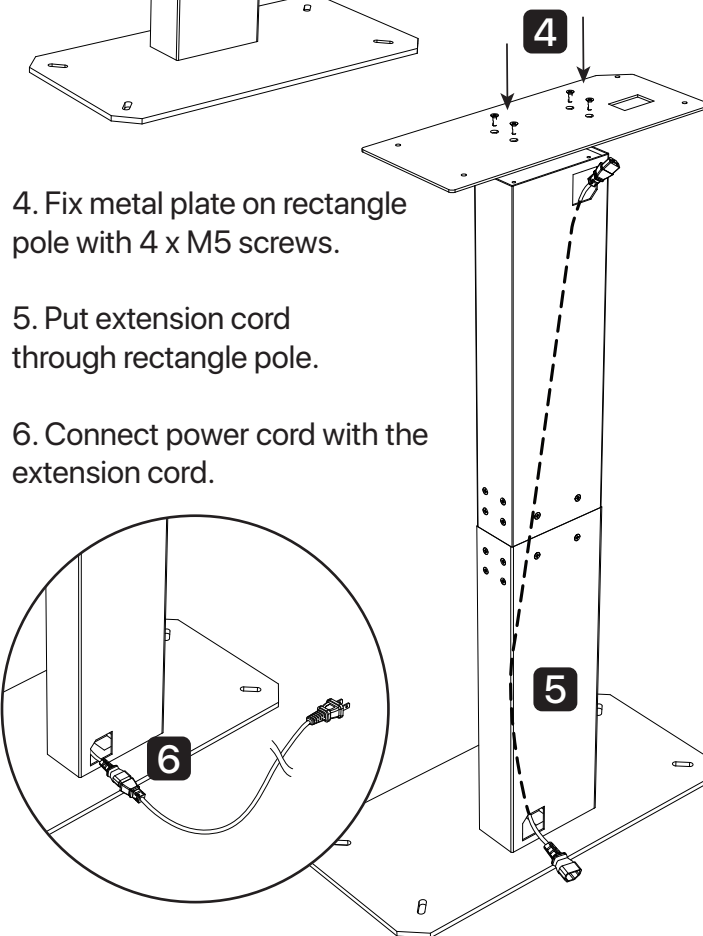


1. Fix rectangle pole on base plate with 4 x M8 screws.

2. Fix 4 metal pieces in rectangle pole A with 12 x M5 screws.



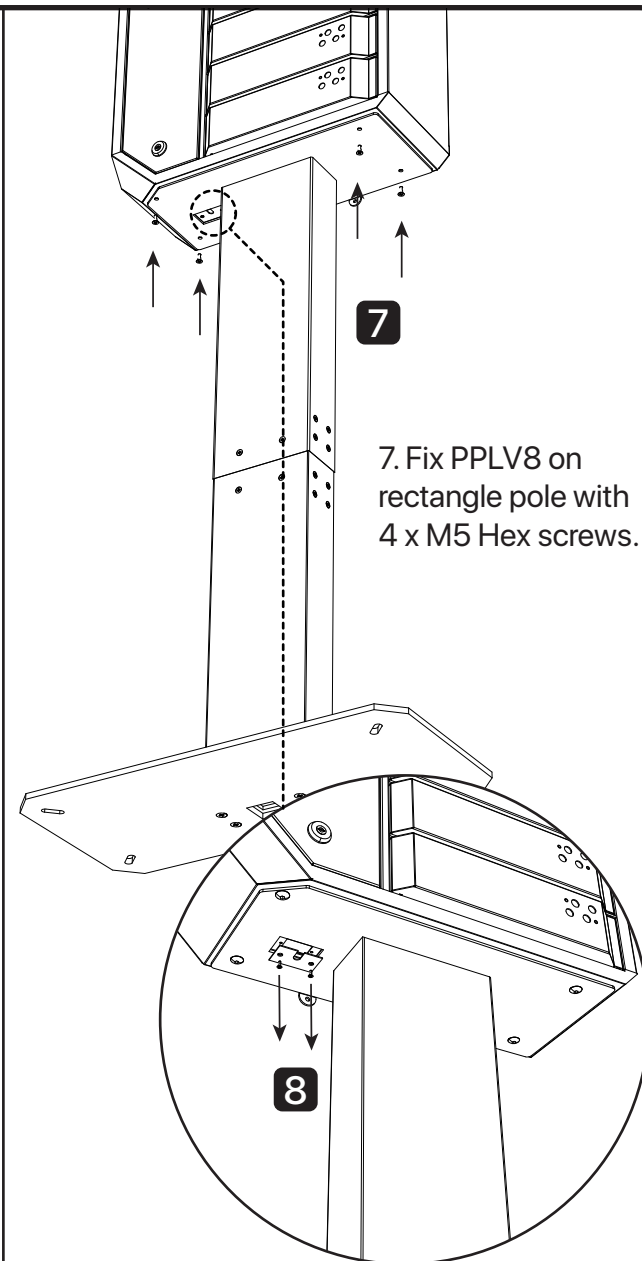
3. Fix rectangle pole B on rectangle pole A with 12 x M5 screws.



4. Fix metal plate on rectangle pole with 4 x M5 screws.

5. Put extension cord through rectangle pole.

6. Connect power cord with the extension cord.

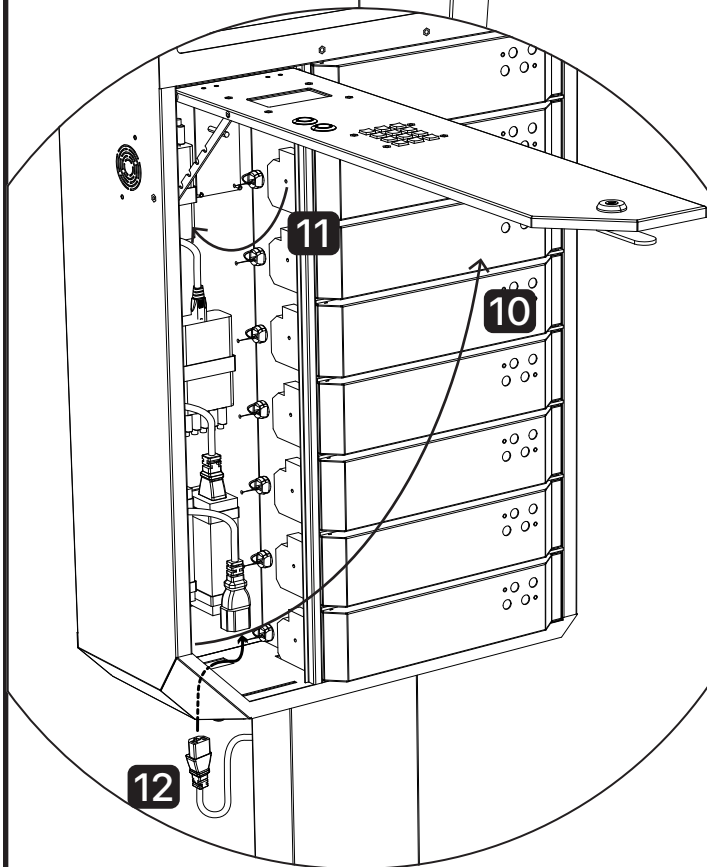


7. Fix PPLV8 on rectangle pole with 4 x M5 Hex screws.

8. Unscrew 2 screws on the cover at the bottom.

9

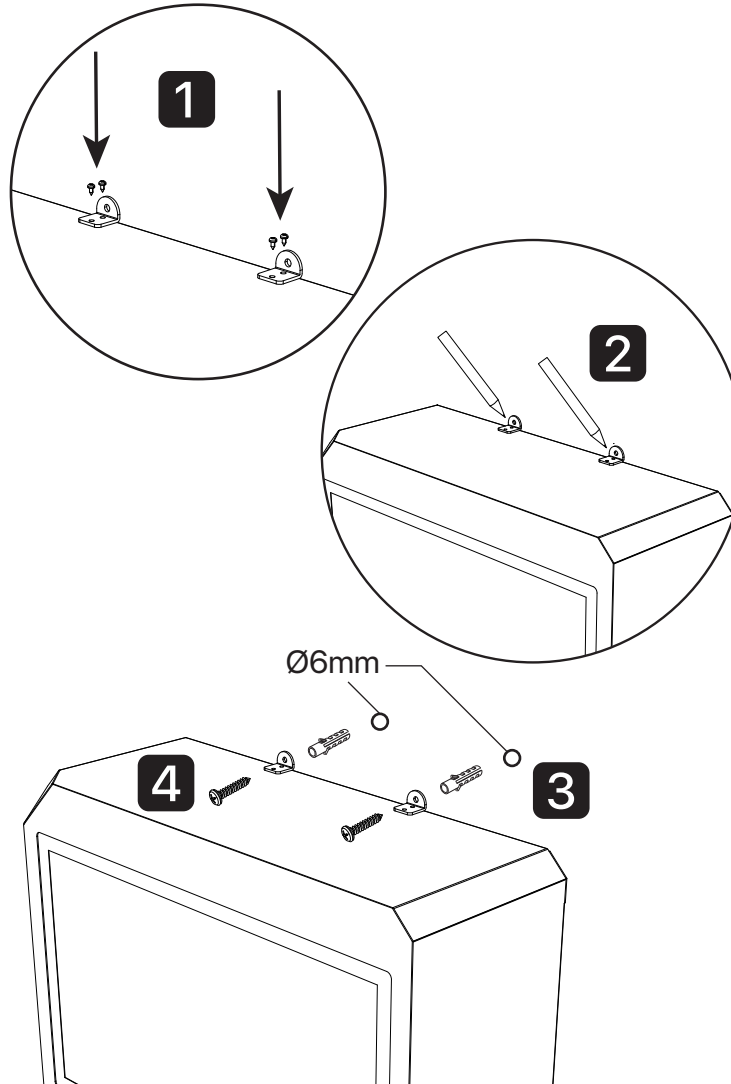
9. Unlock the front door by using the key provided.



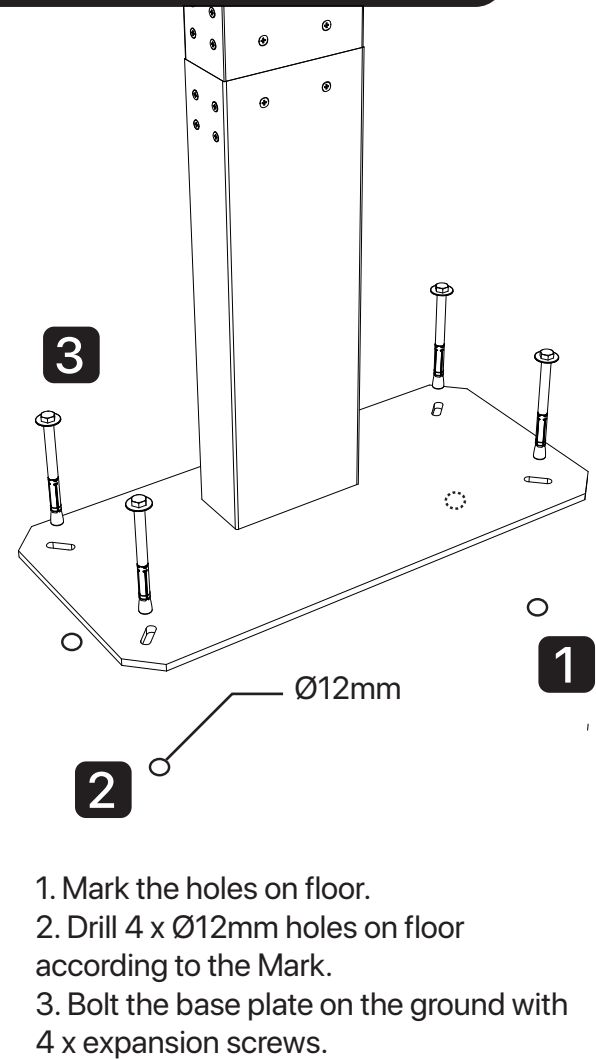
10. Open the front door.  
11. Hold the angle of the front door by using the metal stick.  
12. Connect the extended power cord with the power cord.

### Option A: Fix product on wall

1. Fix 2 x L racks on the top of the product by using 2 x M3 screws.
2. Mark the hole on wall. Drill 2 x Ø6mm holes on wall according to the Mark.
3. Fix 2 x screw studs in hole.
4. Fix 2 x M4 screws to secure the unit in place.



### Option B: Fix product on ground

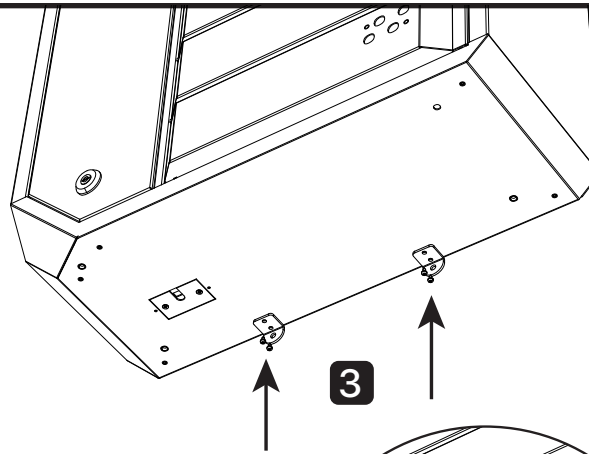
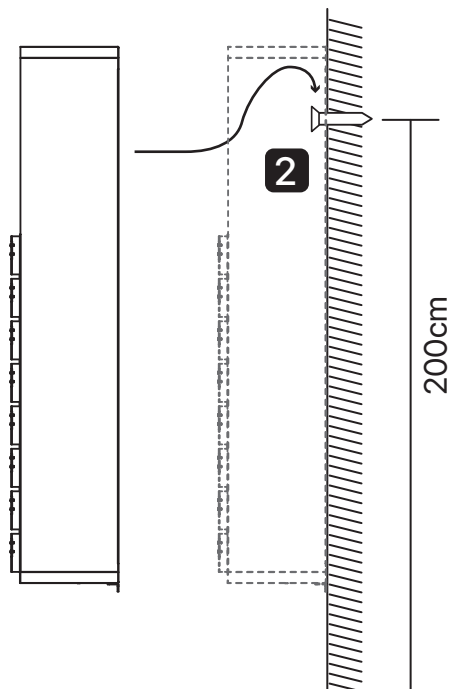


1. Mark the holes on floor.
2. Drill 4 x Ø12mm holes on floor according to the Mark.
3. Bolt the base plate on the ground with 4 x expansion screws.



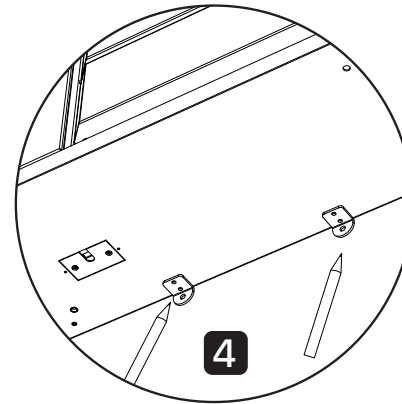
1. Drill 2 x Ø6mm holes (Suggest: 2m height) on wall according to the drawing. Fix 2 x screw studs and 2 x screws on wall.

2. Lift 5mm space for hanging WM10 on wall.



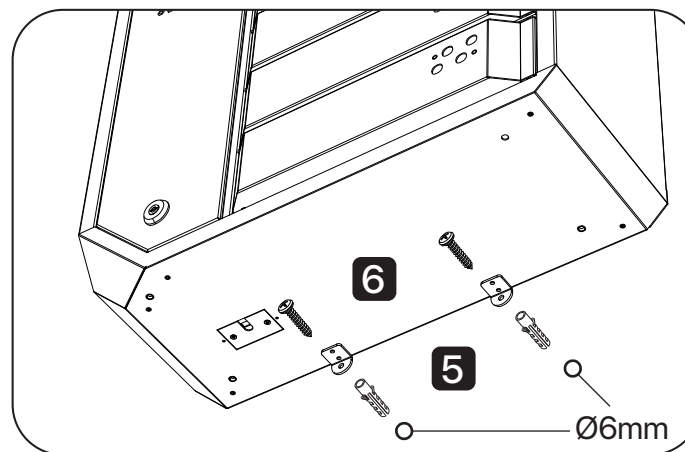
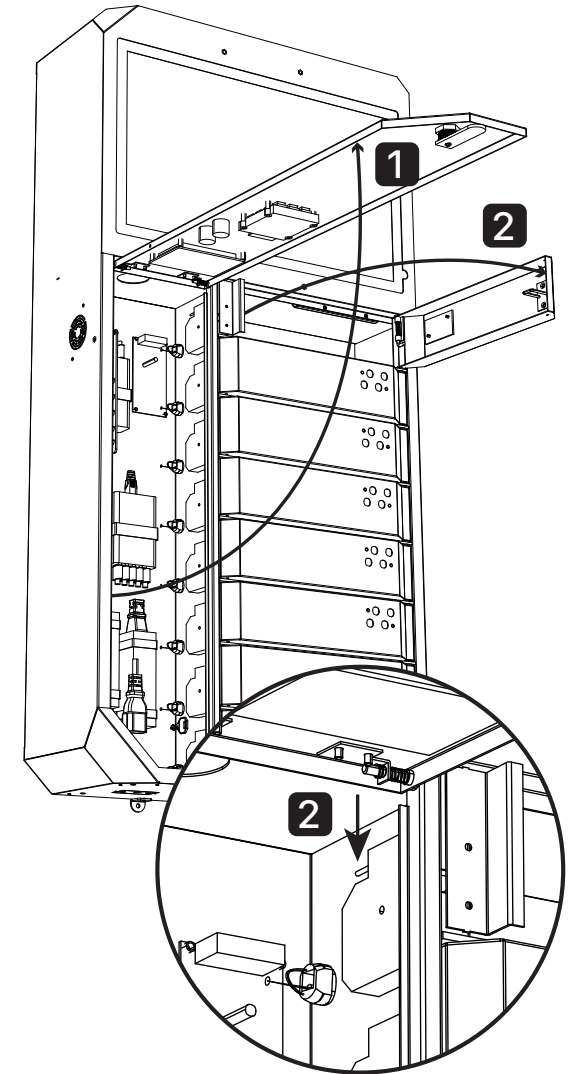
3. Fix 2 x L racks on the bottom of the product by using 2 x M3 screws.

4. Mark the holes on wall. Drill 2 x Ø6mm holes on wall according to the Mark.

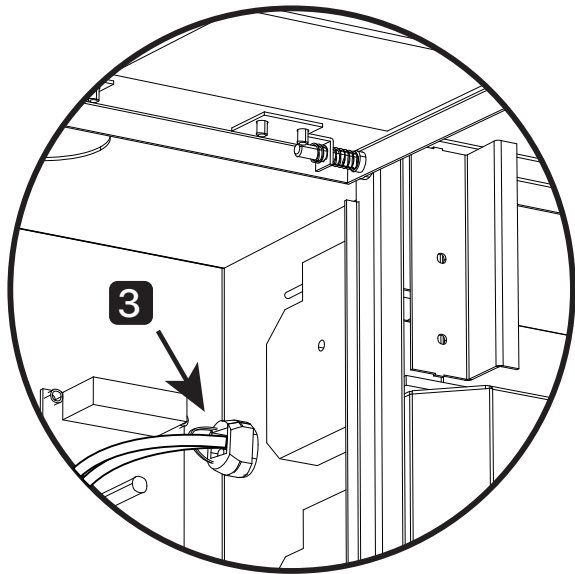


5. Fix 2 x screw studs in holes.

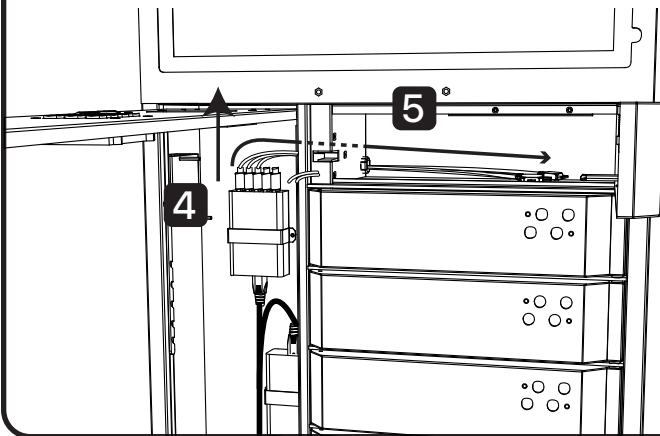
6. Fix 2 x M4 screws to secure the unit in place.

**B. Replace Cable**

1. Open the front door with key provided.  
2. Unlock the door by pressing the button on the lock.



3. Open the cable clip.
4. Unplug USB Cable.
5. Take out the cable through the hole.



## C. Emergency

### Administrative Mode

Set up of Admin Password, Press "0" "#" "0" "#" "0" "#"  
to enter Admin Mode.

#### LCD Displays:

Admin password:  
\* \* \* \* \*

==>Press < # >

==> Press < 1 >  
Factory reset.  
==> Press < 2 >  
Modify Password.

Press button "2"

Press  
button "1"

Enter a new  
8-digit password  
==>Press < # >

1  3  5  7  
 2  4  6  8  
 0 Reset All  
==> Press < # >

The administramo  
tor password is  
modified success  
fully.

Press button  
"0"  
Reset all boxes

Press button  
"1-8"  
Reset corresponding  
box

Resetting.....  
Please wait a mo  
ment.

Factory setting  
reset completed.

## E. Specifications

- Model no.: Y2-PPLV8
- Input : AC 100 - 240V / 50~60Hz
- Output (per locker box) : 5V/2.4A Max
- Charging Cable (per locker box):  
Micro USB Cable + Lightning Cable + Type C Cable
- Dimensions(PPLV8 only): 480 x 200 x 995 mm
- Dimensions(PPLV8 with Floor Stand): 590 x 280 x 1980mm
- Material (Housing) : Cold Rolled Steel

## F. Notes on use

- To Prevent fire on shock hazard, do not expose the device to rain or moisture.
- To avoid electric shock, please do not disassemble the device.
- If trouble occurs, immediately disconnected the device from wall socket.

#### Maintenance

- Wipe the device with a soft dry cloth to prevent dust build up.
- keep the device away from strong volatile solvents or chemicals, such as thinner, benzene, alcohol, pesticide, rubber or vinyl plastic etc, which may lead to deterioration or damage to your devices.