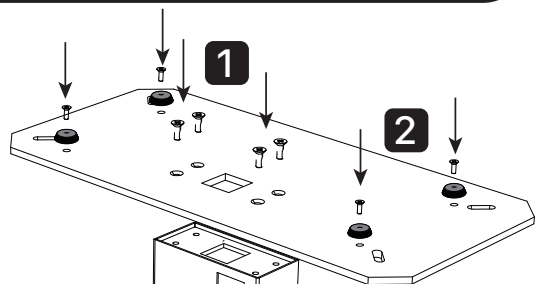


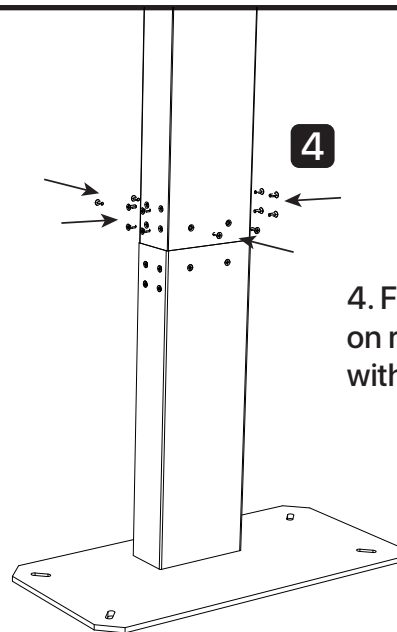
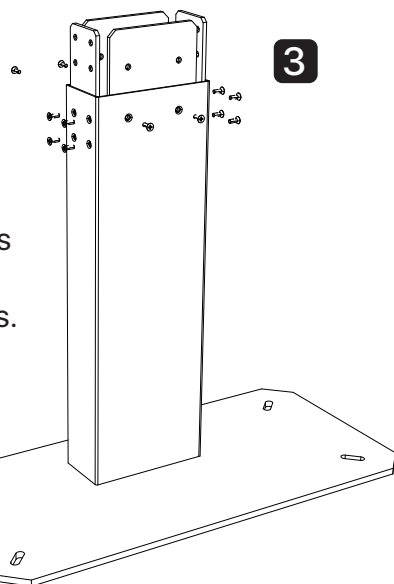
chargetech
8 Bay Pin Code
Charging Locker (PPL8)
Installation Guide



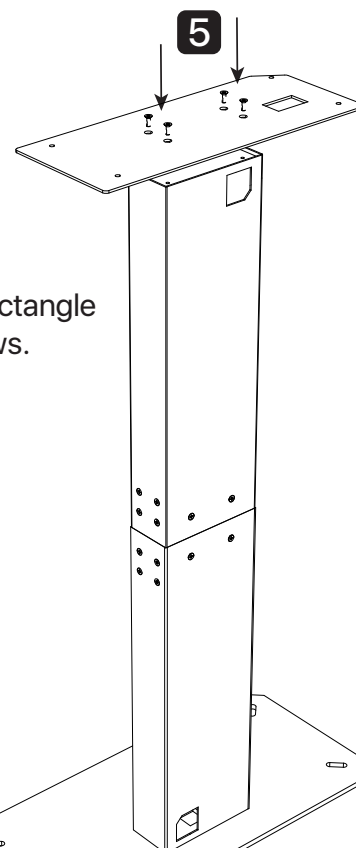
1. Fix rectangle pole on base plate with 4 x M8 screws.

2. Fix 4 x rubber feet on base plate with 4 x M5 screws.

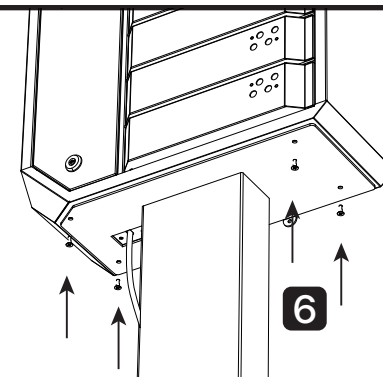
3. Fix 4 metal pieces in rectangle pole A with 12 x M5 screws.



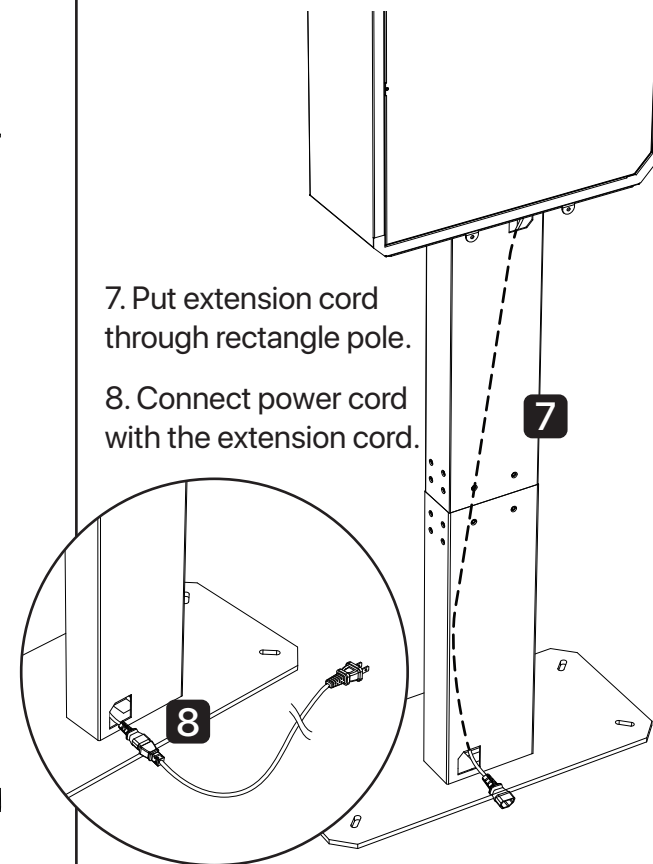
4. Fix rectangle pole B on rectangle pole A with 12 x M5 screws.



5. Fix metal plate on rectangle pole with 4 x M5 screws.



6. Fix PPL8 on rectangle pole with 4 x M5 Hex screws.

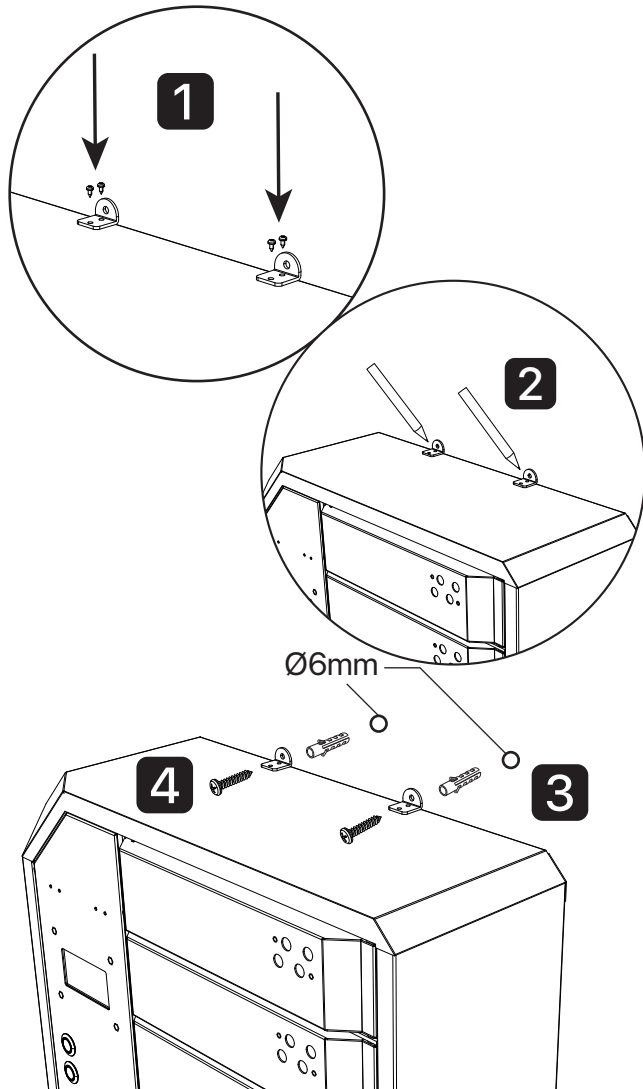


7. Put extension cord through rectangle pole.

8. Connect power cord with the extension cord.

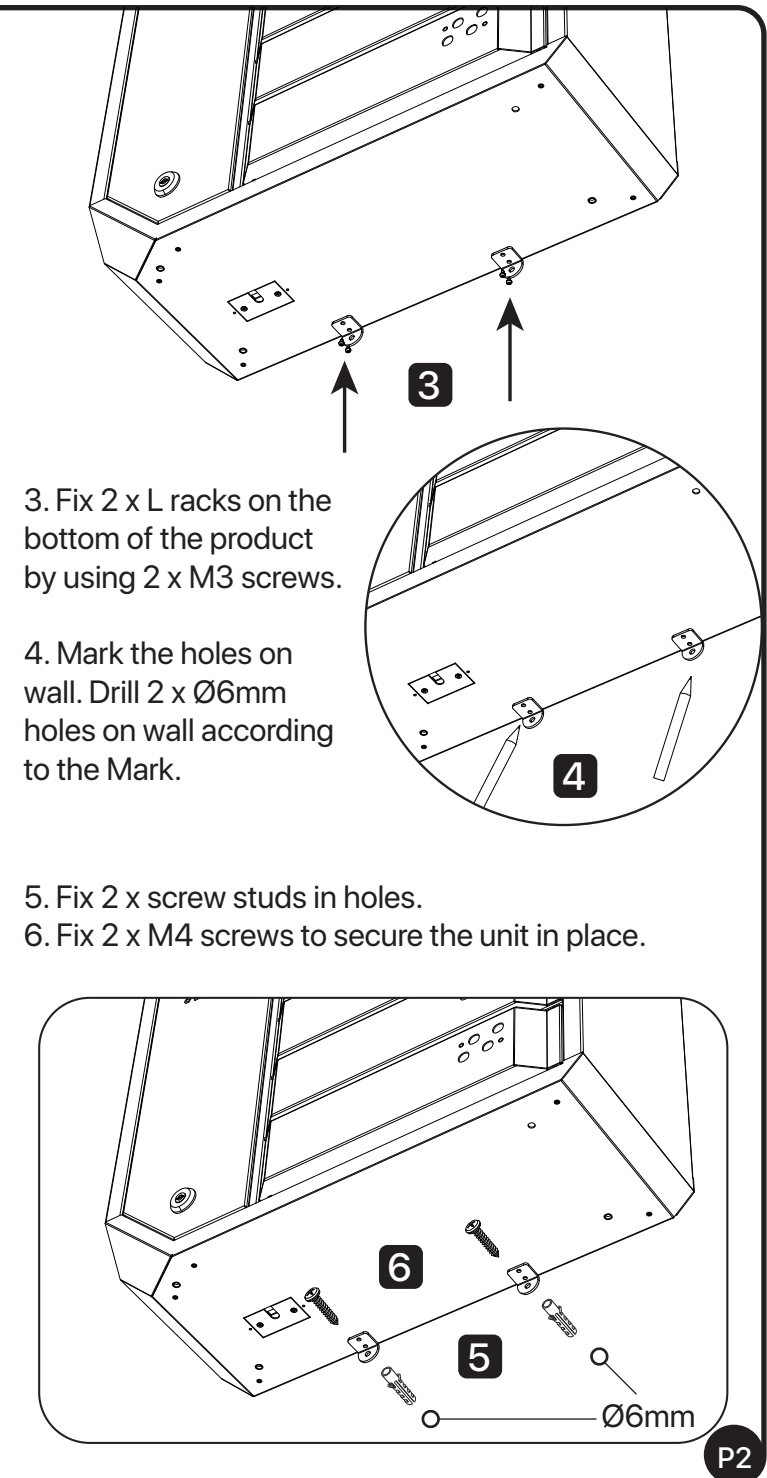
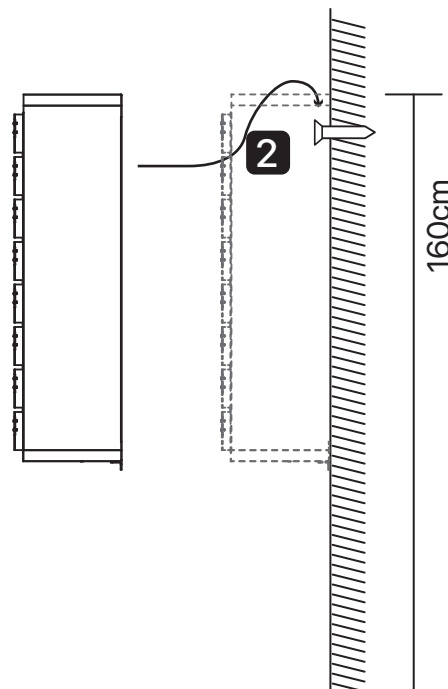
Option A: Fix product by the wall

1. Fix 2 x L racks on the top of the product by using 2 x M3 screws.
2. Mark the hole on wall. Drill 2 x Ø6mm holes on wall according to the Mark.
3. Fix 2 x screw studs in hole.
4. Fix 2 x M4 screws to secure the unit in place.

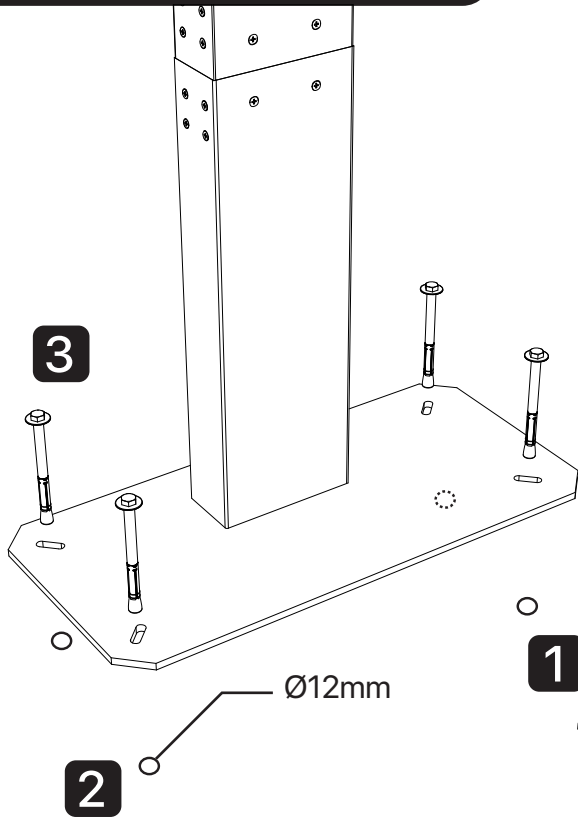


Option B: Hang on wall

-
- Ø6mm
- 462 mm
- Ø6mm
1. Drill 2 x Ø6mm holes (Suggest: 1.6m height) on wall according to the drawing. Fix 2 x screw studs and 2 x screws on wall(not included).
 2. Lift 5mm space for hanging WM10 on wall.

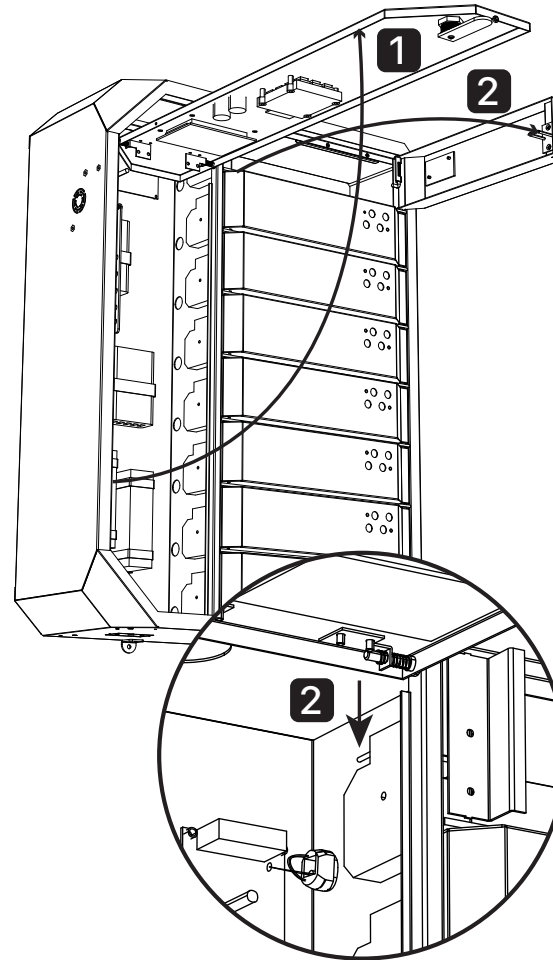


Option C: Fix product on ground

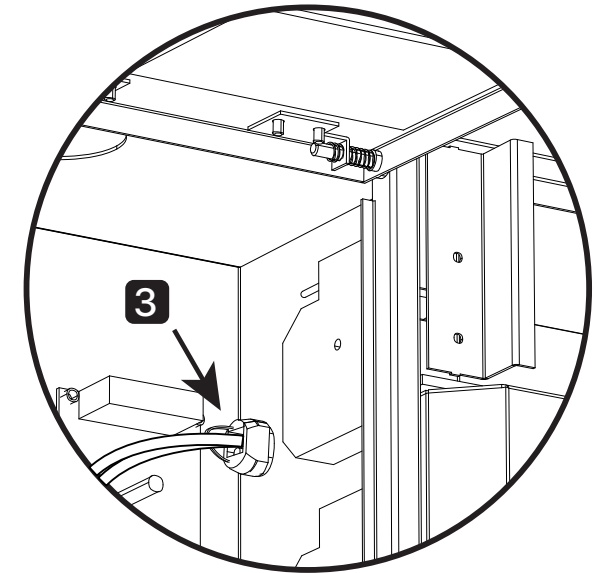


1. Mark the holes on floor.
2. Drill 4 x $\varnothing 12\text{mm}$ holes on floor according to the Mark.
3. Bolt the base plate on the ground with 4 x expansion screws.

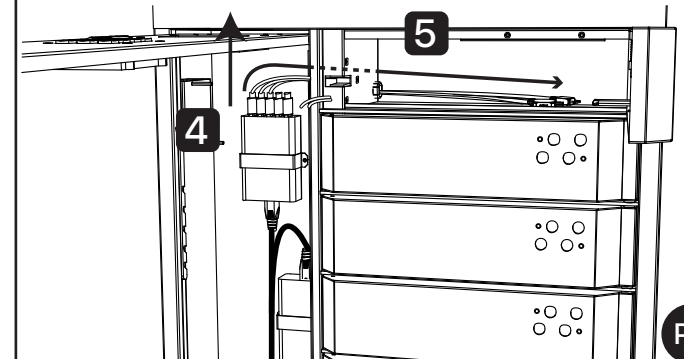
B. Replace Cable



1. Open the control box door with key provided.
2. Unlock the door by pressing the button on the lock.



3. Open the cable clip.
4. Unplug USB Cable.
5. Take out the cable through the hole.



C. Emergency

Administrative Mode

Set up of Admin Password, Press "0" "#" "0" "#" "0" "#"
to enter Admin Mode.

Default Password:
88888888



Please change it before
implementing the locker.

LCD Displays:

Admin password:
* * * * *

==>Press < # >

==> Press < 1 >
Factory reset.
==> Press < 2 >
Modify Password.

Press button "2"

Enter a new
8-digit password
==>Press < # >

The administramo
tor password is
modified success
fully.

Press
button "1"

1 3 5 7
 2 4 6 8
 0 Reset All
==> Press < # >

Press button
"0"
Reset all boxes

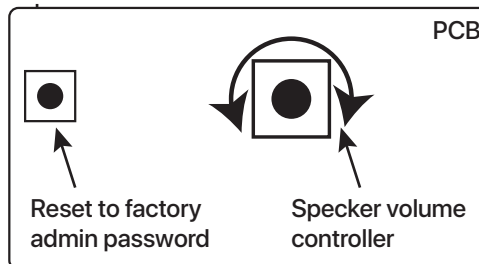
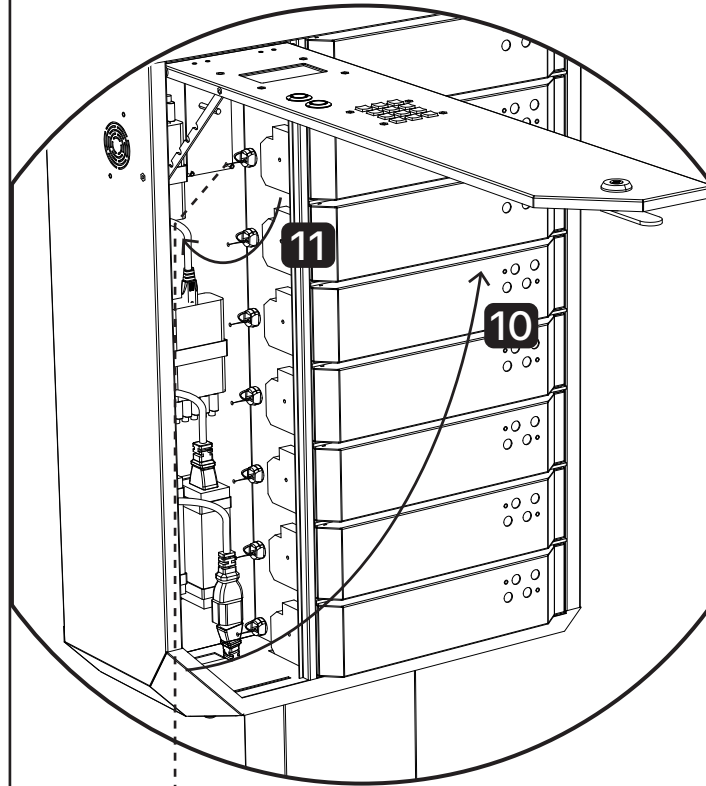
Press button
"1-8"
Reset corresponding
box

Resetting.....
Please wait a mo
ment.

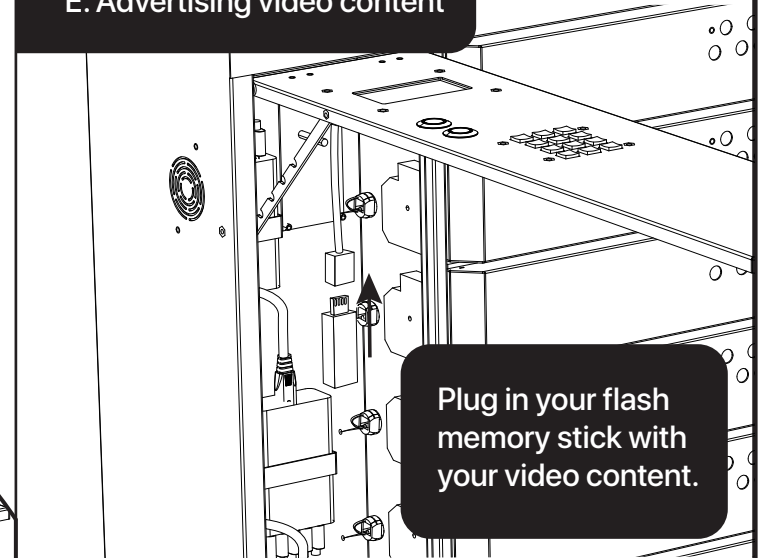
Factory setting
reset completed.

D. Reset to factory admin password

- Open the front door by using the key provided.
- Hold the angle of the front door by using the metal stick.



E. Advertising video content



F. Specifications

- Model no.: PPL8
- Input : AC 100 - 240V / 50~60Hz
- Output (per locker box) : 5V/2.4A Max
- Charging Cable (per locker box):
Micro USB Cable + Lightning Cable + Type C Cable
- Dimensions(PPL8 only): 480 x 200 x 668 mm
- Dimensions(PPL8 with Floor Stand): 590 x 280 x 1660mm
- Material (Housing) : Cold Rolled Steel

G. Notes on use

- To Prevent fire on shock hazard, do not expose the device to rain or moisture.
- To avoid electric shock, please do not disassemble the device.
- If trouble occurs, immediately disconnected the device from wall socket.

Maintenance

- Wipe the device with a soft dry cloth to prevent dust build up.
- keep the device away from strong volatile solvents or chemicals, such as thinner, benzene, alcohol, pesticide, rubber or vinyl plastic etc, which may lead to deterioration or damage to your devices.